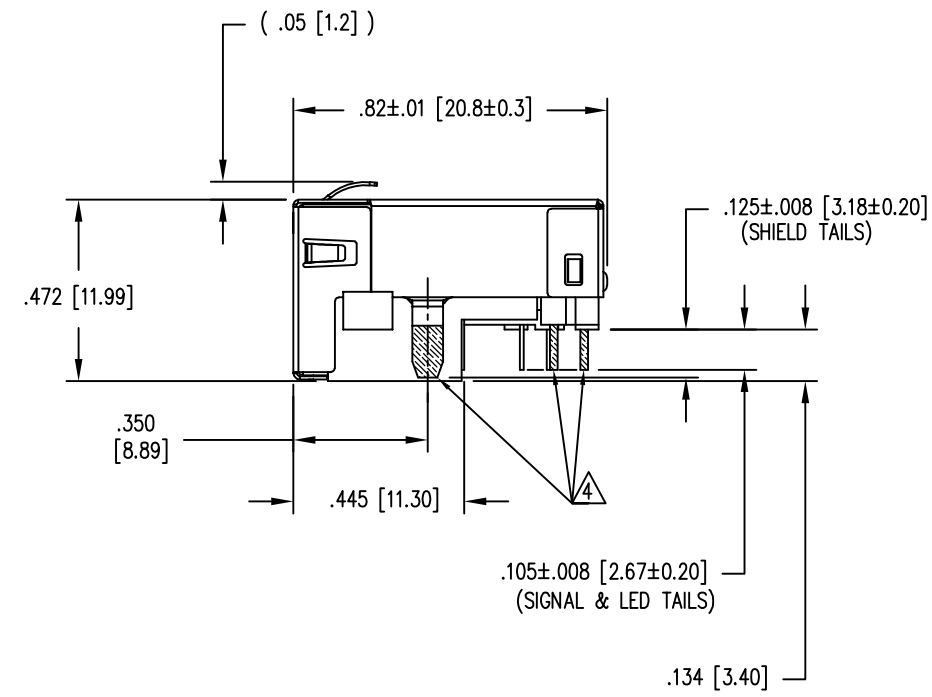
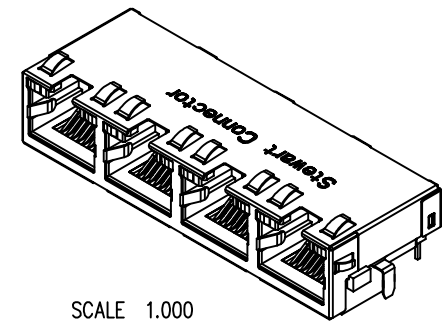
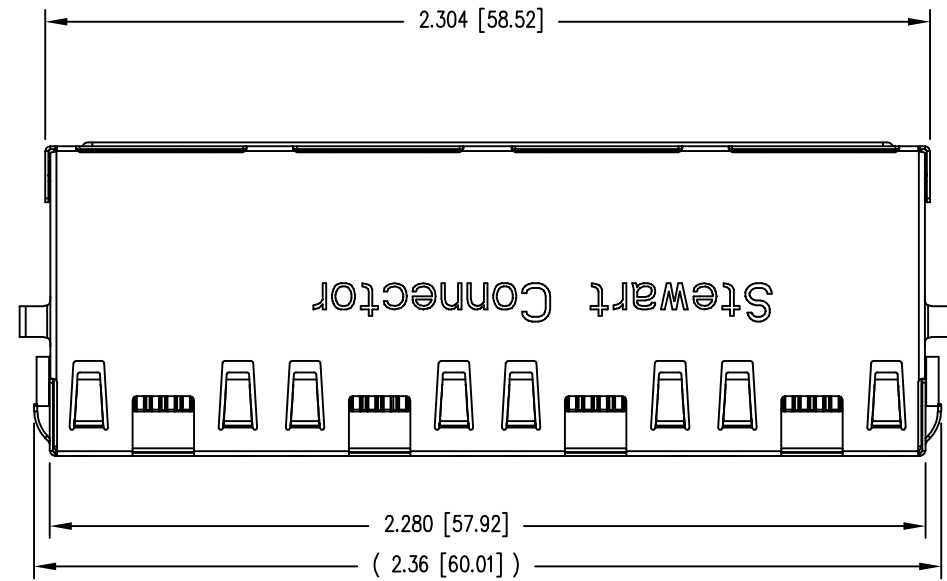
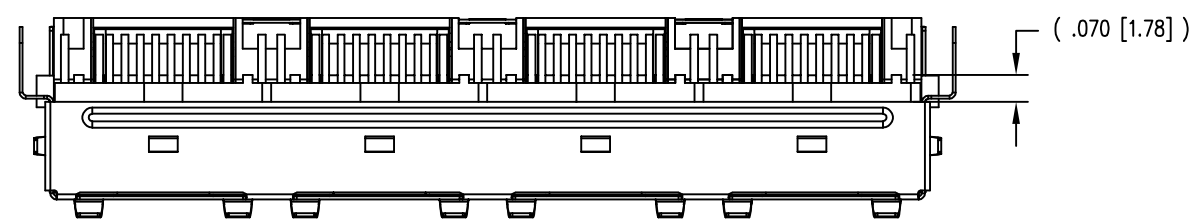
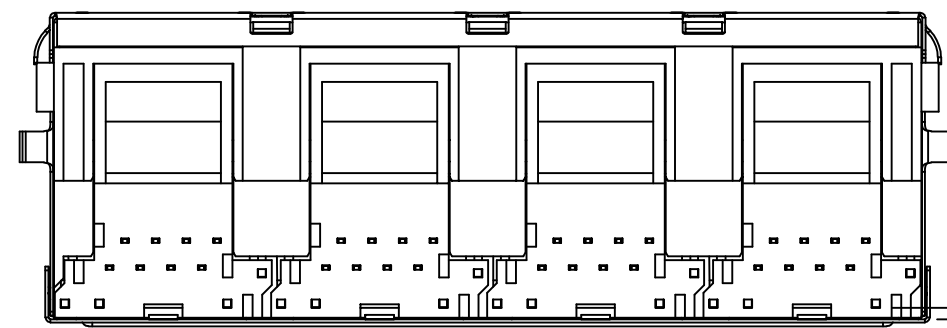
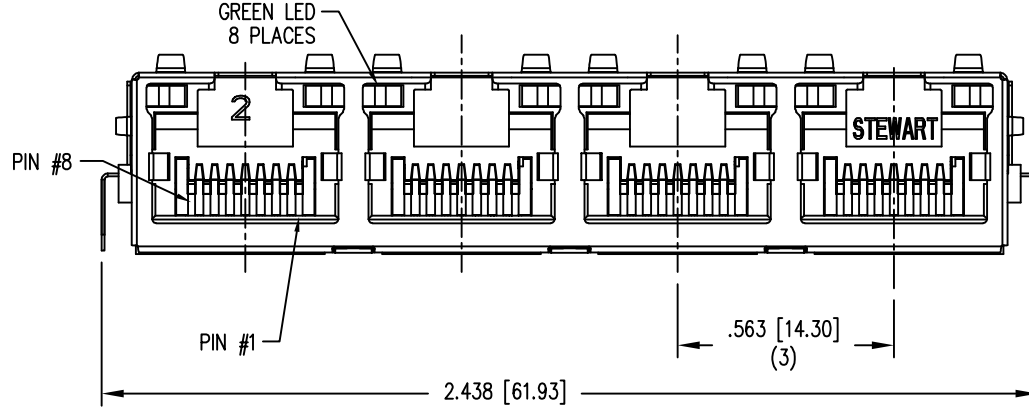


DATE	REV	ECN	APP'D. BY
6-13-17	A0	-	DHG
5-15-20	A1	11552	JE



- NOTES:
- CONNECTOR MATERIALS:
HOUSING: HALOGEN FREE THERMOPLASTIC, UL94 V-0
CONTACTS: COPPER ALLOY
SHIELD: STAINLESS STEEL
CONTACT PLATING: SELECTIVE GOLD IN CONTACT AREA (SEE CHART FOR PART NUMBER)
MATTE TIN PLATED SOLDER TAILS
 - FOR PRODUCT SPECIFICATIONS SEE PRO22-01.
 - DIMENSIONS AND TOLERANCES COMPLY WITH TIA-1096 STANDARD.
 - SHIELD AND LED LEADS ARE TIN DIPPED OR TIN PLATED TO .010 MIN ABOVE TOP SURFACE OF PRINTED CIRCUIT BOARD SEATING PLANE. NO EXPOSED BASE METAL IN THIS AREA.
 - IR REFLOW COMPATIBLE MAX. 260°C FOR MAX. 10 SECONDS.
 - DESIGNED FOR CATEGORY 5/5e APPLICATIONS.

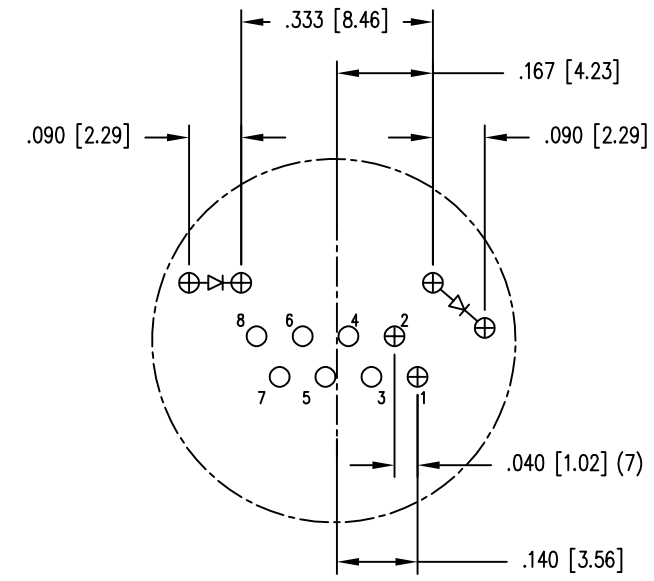
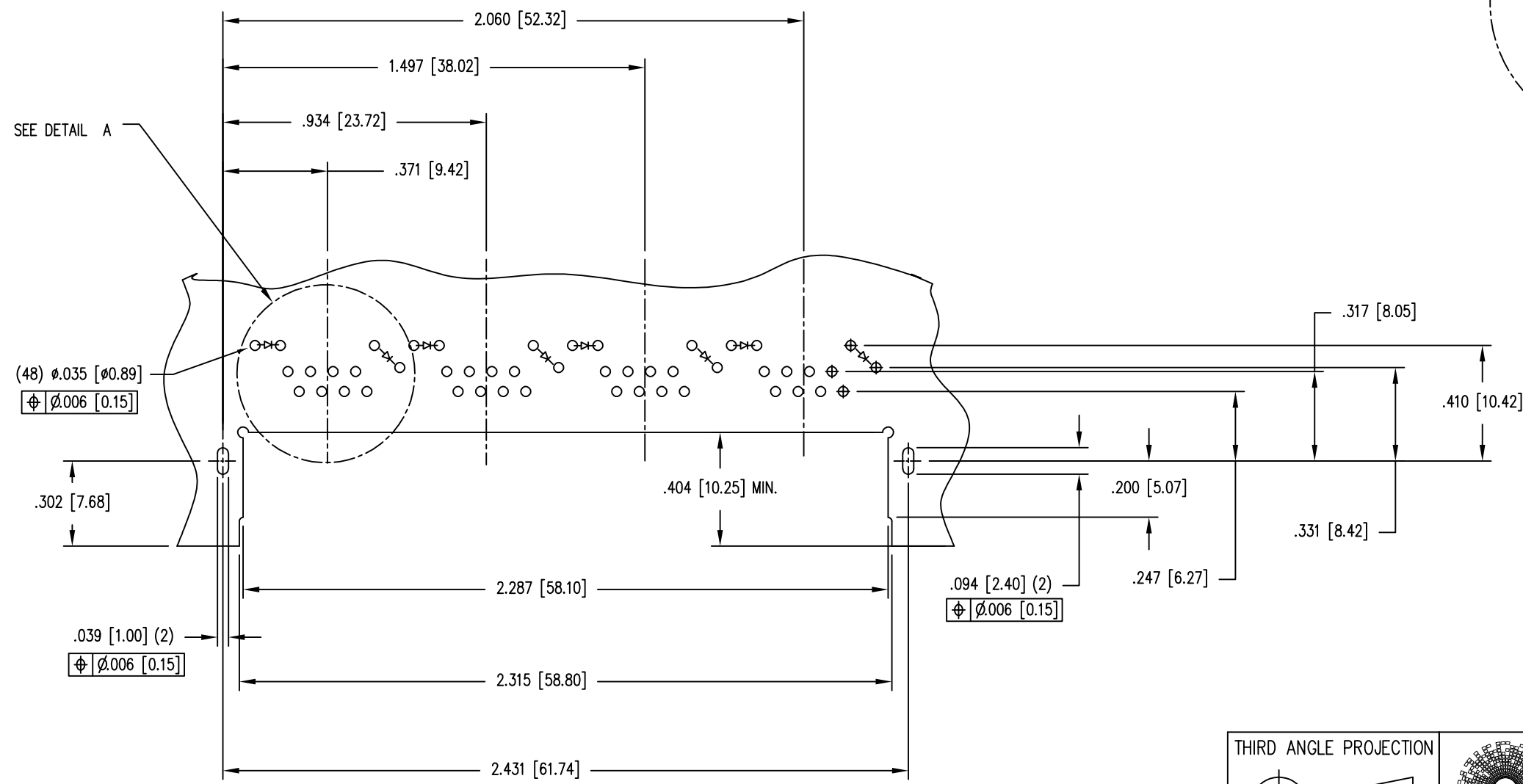


30 MICRO-INCHES [0.76um]	SS-74800-125
CONTACT PLATING IN MATING AREA	PART NUMBER

THIRD ANGLE PROJECTION		1118 Susquehanna Trail South Glen Rock, PA 17327-9199 (717) 235-7512 http://www.stewartconnector.com	
DO NOT SCALE DRAWING DRAWING IS SUBJECT TO CHANGE WITHOUT NOTICE		TITLE: 4 PORT, MID PLANE, LED, JACK, .105" SIGNAL TAILS HALOGEN FREE MATERIAL	
DIMENSIONS: INCHES [METRIC]	THIS DRAWING AND THE SUBJECT MATTER SHOWN THEREON ARE CONFIDENTIAL AND THE PROPRIETARY PROPERTY OF STEWART CONNECTOR AND SHALL NOT BE REPRODUCED, COPIED, OR USED IN ANY MANNER WITHOUT PRIOR WRITTEN CONSENT OF STEWART CONNECTOR. ONE OR MORE U.S. PATENTS MAY APPLY TO THIS PRODUCT. FOR DETAILS, PLEASE VISIT: HTTP://BELFUSE.COM/STEWART/STEWART_PATENTS/	DRN BY: DHG	DATE: 3-04-16
UNLESS OTHERWISE SPECIFIED TOLERANCES ARE ±.005 [0.13] ANGLES ARE ± 1°		APPD BY: TRM	DATE: 3-04-16
SHEET NO. 1 OF 2		DWG NO. CT740234	REV. A1

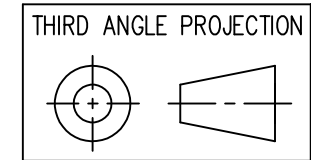


REV. 6/3/05



DETAIL A
TYPICAL (4 PLACES)
HOLE LAYOUT

P.C.B. RECOMMENDED HOLE LAYOUT
SEEN FROM COMPONENT SIDE
ALL CENTERLINE DIMENSIONS ARE BASIC.



1118 Susquehanna Trail South
Glen Rock, PA 17327-9199
(717) 235-7512
<http://www.stewartconnector.com>

DO NOT SCALE DRAWING
DRAWING IS SUBJECT TO
CHANGE WITHOUT NOTICE
DIMENSIONS: INCHES [METRIC]
UNLESS OTHERWISE SPECIFIED
TOLERANCES ARE ±.005 [0.13]
ANGLES ARE ± 1°
SHEET NO. 2 OF 2

TITLE: 4 PORT, MID PLANE, LED, JACK, .105" SIGNAL TAILS HALOGEN FREE MATERIAL	
DRN BY: DHG	DATE 3-04-16
APPD BY: TRM	DATE 3-04-16
DWG NO. CT740234	REV. A1