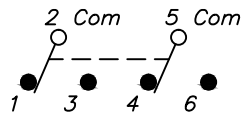
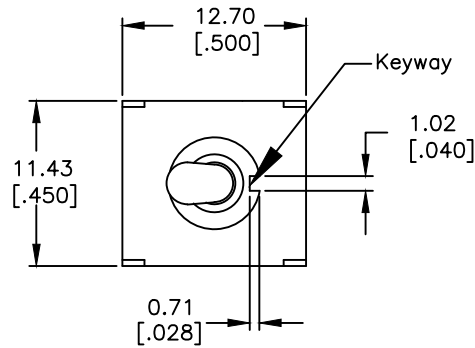


RECOMMENDED P.C.B. LAYOUT  
SCALE: 2:1



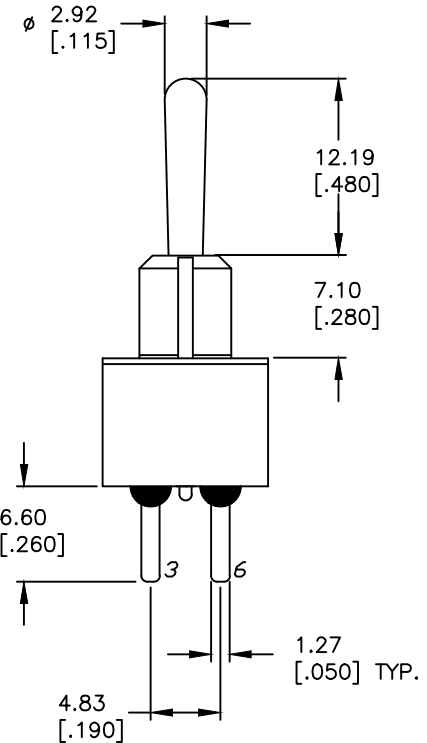
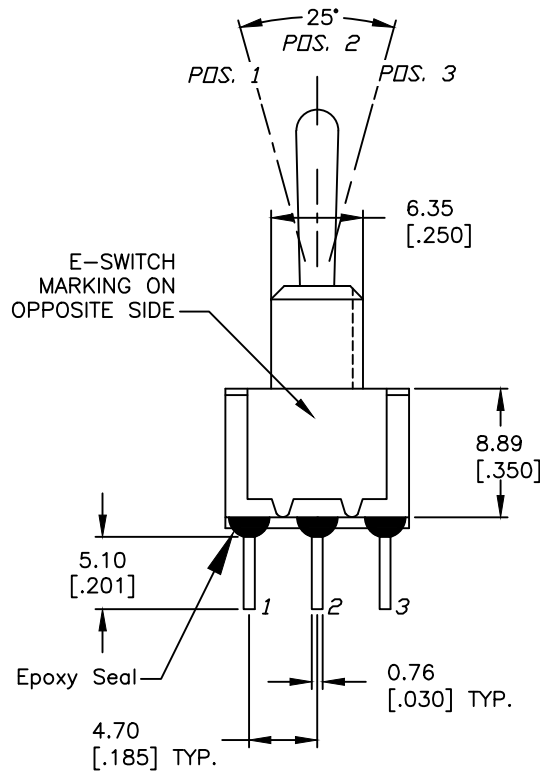
CIRCUIT: DPDT

SWITCH FUNCTION		
PDS. 1	PDS. 2	PDS. 3
<DN>	OFF	<DN>
2-3,5-6	OPEN	2-1,5-4

( ) = Momentary

NOTES:

1. ALL DIMENSIONS IN MM [INCH]
2. GENERAL TOLERANCE: X.X=±0.4  
X.XX=±0.25
3. TERM. NOS. FOR REF. ONLY
4. RATING: 5A @120VAC OR 28VDC  
2A @250VAC
5. MATERIALS: FIXED TERM. & MOVING CONTACT:  
Copper Alloy W/Silver plate.
6. ELECTRICAL LIFE: 50,000 make-and-break  
cycles at full load.
7. INSULATION RESISTANCE: 1,000M ohm min.
8. DIELECTRIC STRENGTH: 1000V RMS @sea level
9. OPERATING TEMP.: -30°C to 85°C



B	23255	drawing update	3/8/18	MW
A	12399	RELEASED FOR PRODUCTION	9/3/02	CJB
REV.	ECN No.	DESCRIPTION	DATE	CHKD

TITLE		100DP4T1B4M2QE		
SCALE	DATE	DR	DWG	REV
2:1	7/20/01	CJB	T124015	B

THE INFORMATION CONTAINED IN THIS DOCUMENT IS PROPRIETARY TO E-SWITCH AND IS NOT TO BE COPIED OR TRANSFERRED